



White Oak Oil & Gas Processing Equipment

Owned/Operated by White Oak Radiator Service

Air Cooled Exchanger

Air Cooled Exchanger

Designs

- Forced Draft
- Induced Draft
- Horizontal
- Vertical
- A-Frame

Tube Metals & Alloys

- Carbon Steel
- Stainless Steel
- Cooper
- Vertical
- A-Frame

Fin Materials

- Aluminum
- Cooper

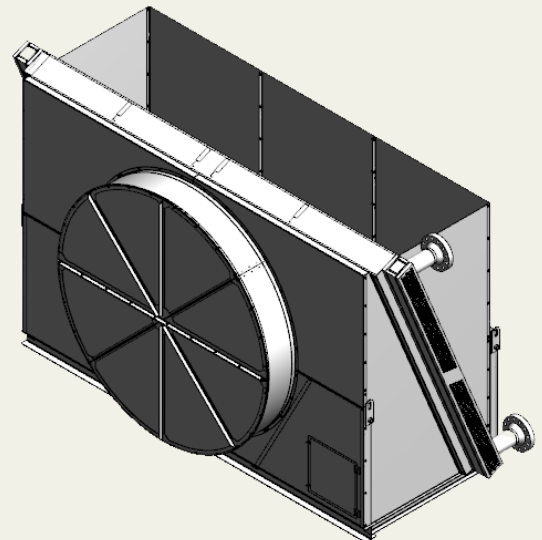
Industry Compliance

- Manufactured with ASME/ASTM certified material



Attributes

- Company Manufactured
- Onsite Pick-up or Delivery
- Shipping Available
- Manufactured in the USA



For more information on WO Oil & Gas Processing, products, contact, us at (903) 759-6421 or go to www.woprocessing.com